

## SMART CATTLE EQUIPMENT !



CHAZ



CHAZ



CHAZ



CHAZ

## Headbail

Model HD01-R

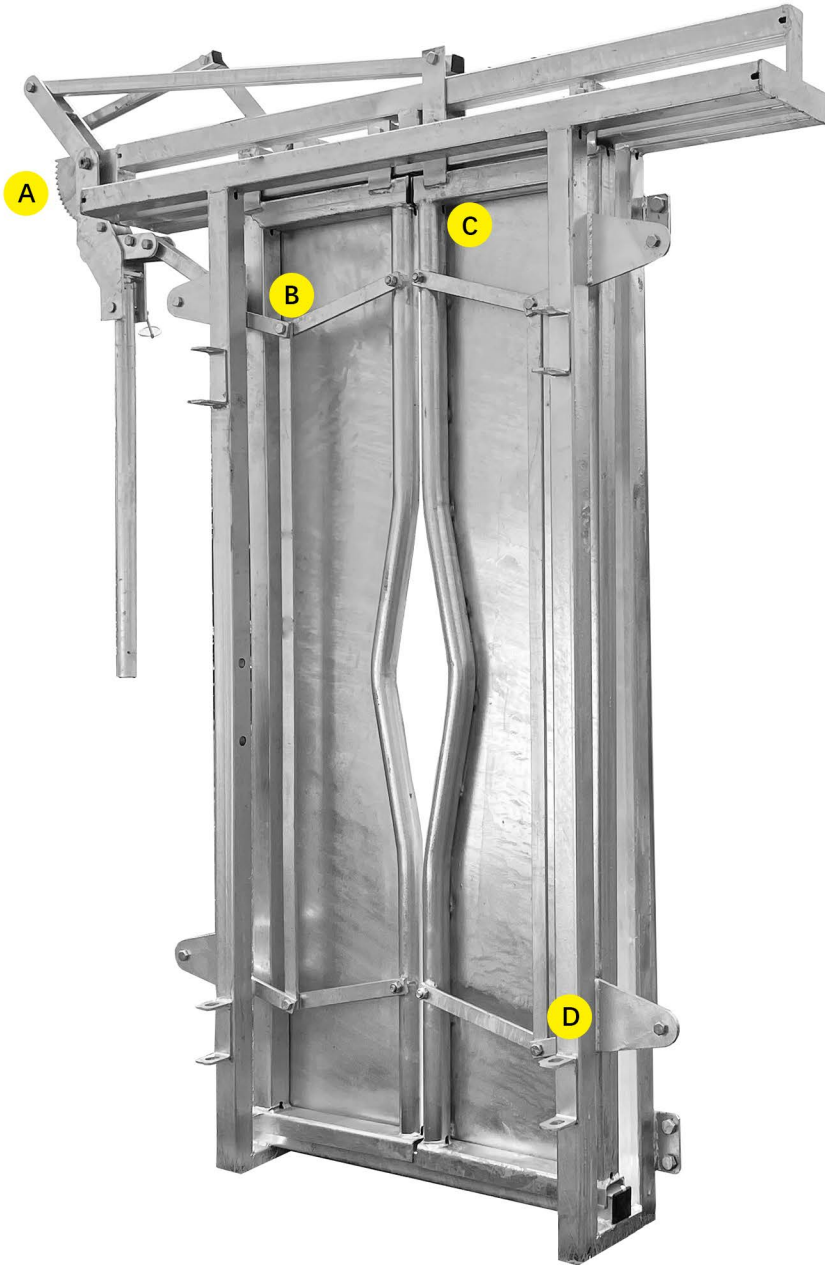
**HDG**

Width: 1850 mm  
 Inner width: 720 mm  
 Height: 2200 mm  
 Weight: 140 kg

- Heavy duty headbail
- Right hand side control
- Special design round tube for cattle head lock
- Headbail locking system to keep cattle restrained
- Hardened steel quadrant ratchet plate for headbail
- Purchase separately or purchase full set cattle crush

**SMART CATTLE EQUIPMENT !**

**More Details**



---

# CHAZ

**ORDER NOW!**



## CONTACT US

**Changzhou ChazRuitong Machinery Co.,Ltd**

Add: #1308 Building 8, No.29 Xiacheng Middle Road,  
Wujin, Changzhou, Jiangsu, China

Email: [info@chazmachine.com](mailto:info@chazmachine.com)

Tel: 0086 519-88868789

Cell: +86-182 4883 2442

[www.cattle-crush.com](http://www.cattle-crush.com)

[www.cattle-crush.com](http://www.cattle-crush.com)